

LR 120



1.1997

Spare parts

Ersatzteile

Pièces détachées

Reserve onderdelen

Repuestos

Reservdelar

Replaces

Ersetzt

Remplace

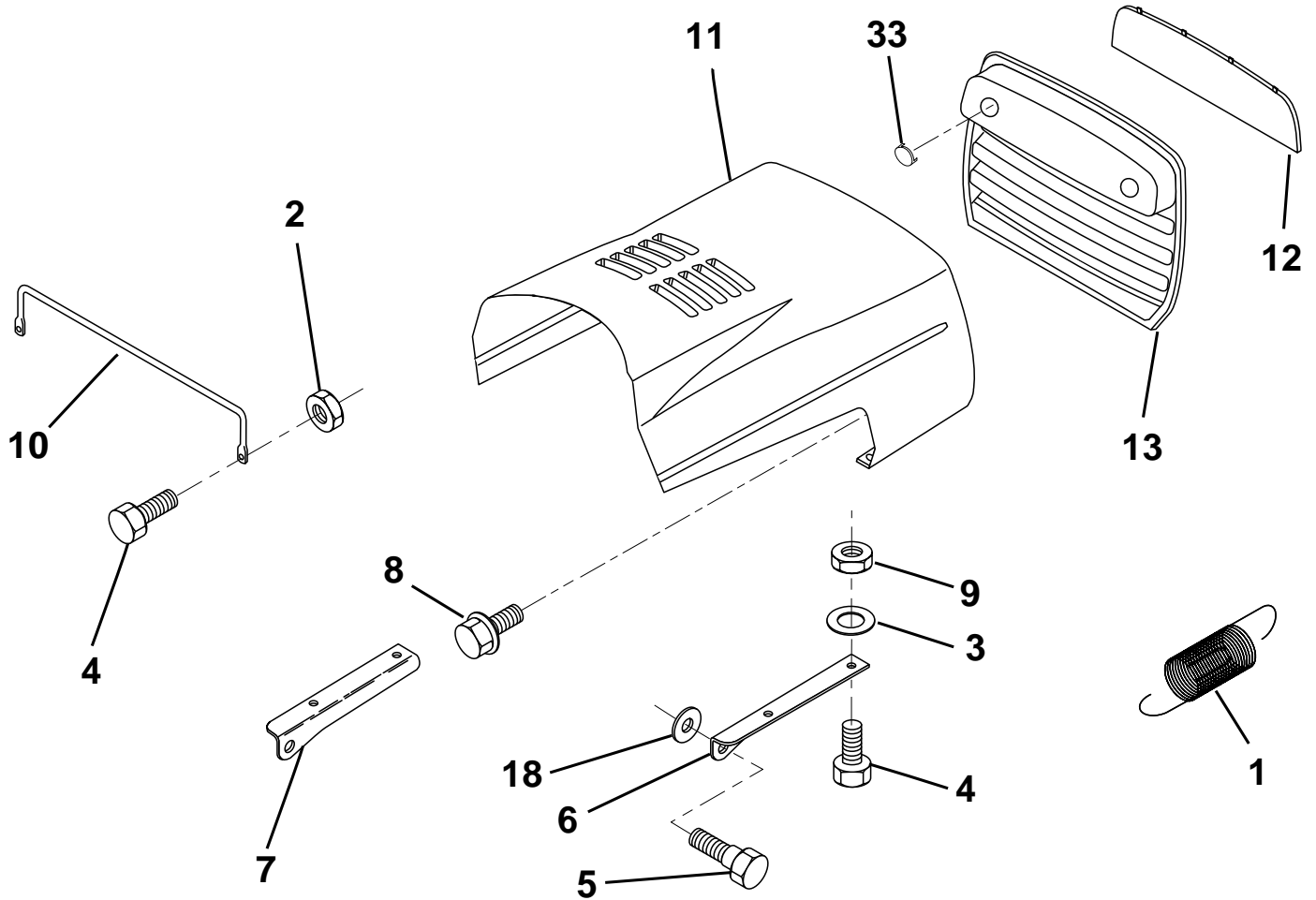
Vervangt

Reemplaza

Ersätter

A

HOOD

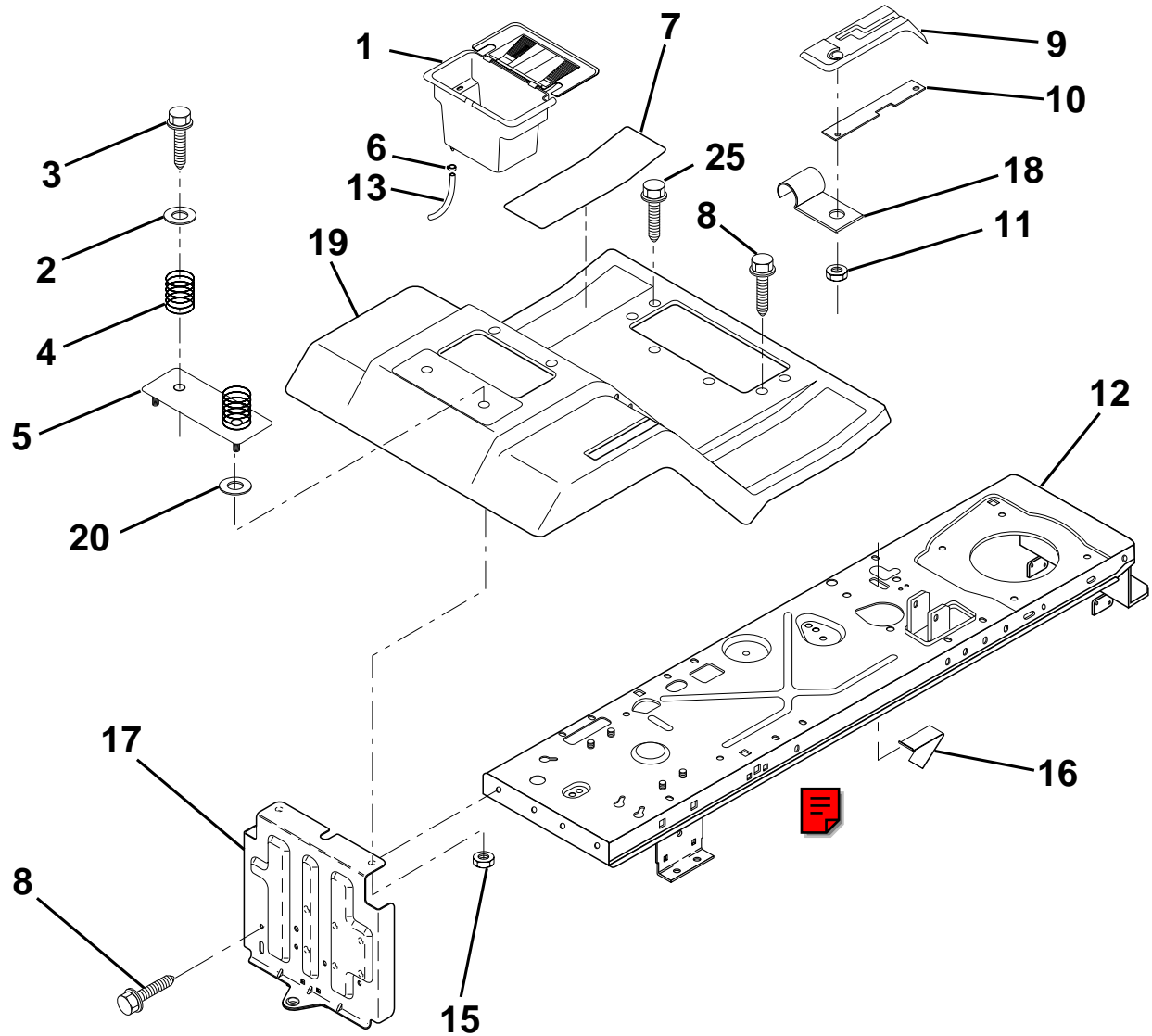


KEY NO.	PART NO.	DESCRIPTION	KEY NO.	PART NO.	DESCRIPTION
1	532124657	Spring,Extension	9	873800400	Nut,Fin Hex 1/4-20 UNC
2	873640400	Nut,Hex Keps 1/4-20	10	532123693	Rod Support
3	819091416	Washer 9/32 x 7/8 x 16 Ga.	11	532140463	Hood
4	874780412	Bolt Fin Hex 1/4-20 x 3/4	12	532122035	Lens Bar
5	532139888	Bolt,Shoulder 5/16-18 UNC	13	532142325	Grille
6	532122549	Bracket,Hood R.H.	18	819111116	Washer 11/32 x 11/16 x 16 Ga.
7	532122548	Bracket,Hood L.H.	33	532131319	Plug
8	817521312	Screw			

HARDWARE SHOWN LARGER FOR EASIER IDENTIFICATION

B

FENDER/CHASSIS

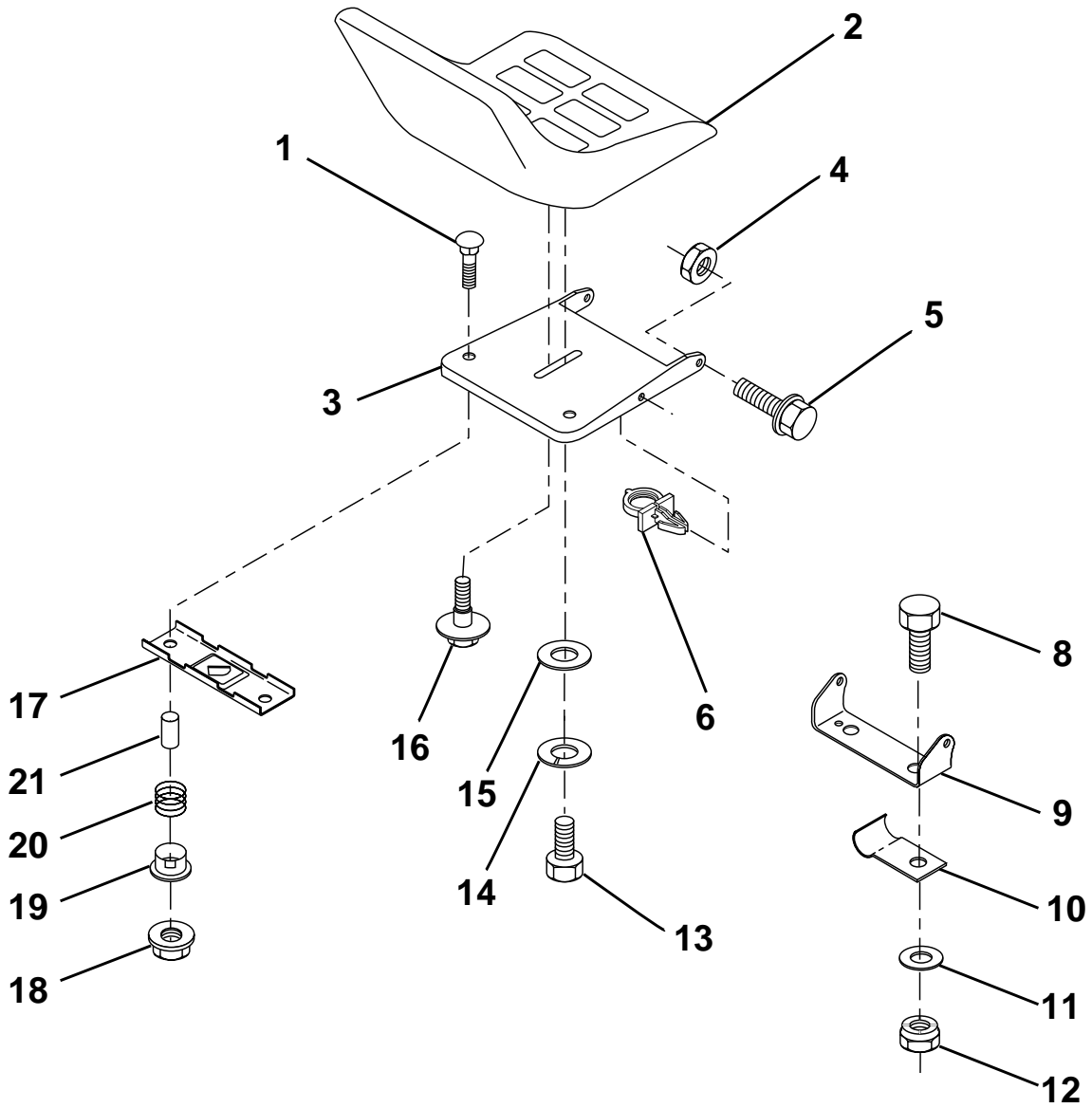


KEY NO.	PART NO.	DESCRIPTION	KEY NO.	PART NO.	DESCRIPTION
1	532156417	Case,Battery	11	532124346	Nut,Self-Threading Wsher Hd 3/16
2	819132012	Washer 13/32 x 1-1/4 x 12 Ga.	12	532145190	Chassis Assembly Weldment
3	817490612	Screw,Hex Wsh.Thdrol 3/8-16 x 3/4	13	532109238	Tube,Battery Drain
4	532124181	Spring,Compression,Seat	15	873640400	Nut, Keps 1/4-20 UNC
5	532125142	Plate,Asm.Battery	16	532141736	Switch Actuator
6	532109596	Clamp,hose	17	532140782	Drawbar
7	532124144	Pad,Footrest	18	532126470	Clip,Insulated
8	817490512	Screw,Thdrol 5/16-18 x 3/4	19	532141393	Fender,Footrest
9	532125997	Console,Shift Control	20	819091413	Washer 9/32 x 7/8 x 13 Ga.
10	532139783	Bar,Shift Lock	25	817190516	Scr-Hx Wsh Thd Rol 5/16-18 x 1

HARDWARE SHOWN LARGER FOR EASIER IDENTIFICATION

C

SEAT

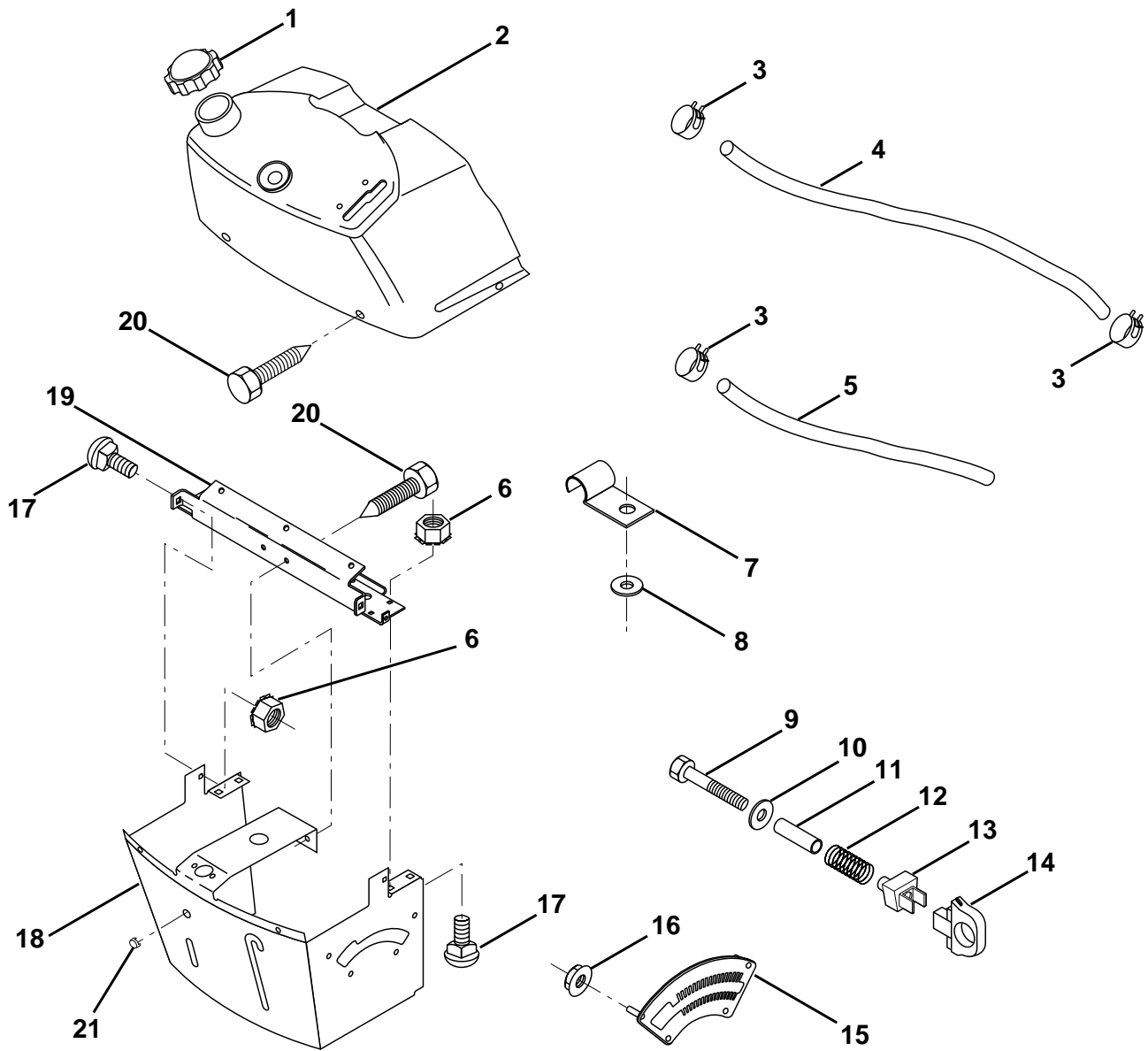


KEY NO.	PART NO.	DESCRIPTION	KEY NO.	PART NO.	DESCRIPTION
1	872050411	Bolt, Carriage 1/4-20 x 1-1/4	13	874780814	Bolt, Fine Hex 1/2-13 UNC x 7/8 Gr.5
2	532130875	Seat	14	810040800	Washer Lock Hvy Hlicl Spring 1/2
3	532155925	Pan, Seat	15	819171912	Washer 17/32 x 13/16 x 12 Ga.
4	873800500	Nut, Lock Hex W/Ins. 5/16-18	16	532127018	Bolt, Shoulder
5	532153236	Bolt, Shoulder 5/16-18 UNC	17	532121246	Bracket, Switch, Mounting
6	532145006	Clip, Insulated	18	532123976	Nut, Hex Large Flange Lock
8	874760616	Bolt, FinHex 3/8-16 UNC x 1	19	532121248	Bushing, Snap
9	532140551	Bracket, Pivot Seat	20	532121250	Spring, Compression
10	532126471	Clip, Insulated	21	532134300	Spacer, Split 28 ld. x .96
11	819133210	Washer 13/32 x 2 x 10 Ga.			
12	873800600	Nut, Lock Hex W/Wsh. 3/8-16 UNC			

HARDWARE SHOWN LARGER FOR EASIER IDENTIFICATION

D

DASH



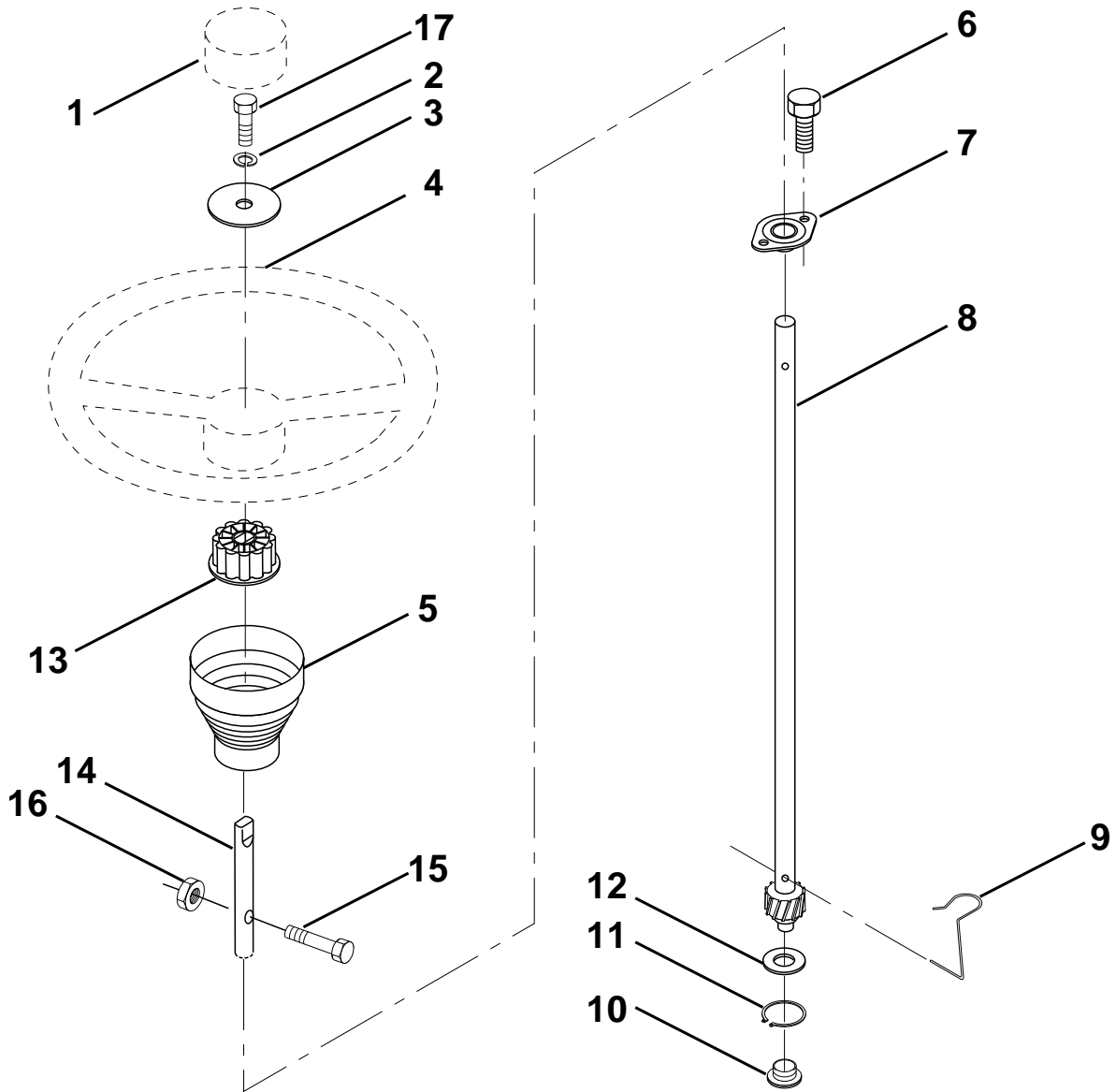
KEY NO.	PART NO.	DESCRIPTION
1	532142187	Cap, Fuel
2	532138394	Assambly, Dash & Fuel Tank
3	532123487	Clamp, House
4	532008544	Line, Fuel
5	532008548	Line, Fuel
6	873640400	Nut, Hex,Keys 1/4-20
7	532124996	Clip, Fuel Line
8	819091216	Washer 9/32 x 3/4 x 16 Ga.
9	874760428	Bolt, Hex,Fin1/4-x 20 x 1-3/4
10	819091413	Washer 11/32 x 11/16 x 16 Ga.
11	532121249	Spacer, Split

KEY NO.	PART NO.	DESCRIPTION
12	532003720	Spring
13	532126450	Clip, Height Adjustment
14	532126115	Knob, Height Stop
15	532122023	Adjustment, Quadrant Height
16	532124346	Nut, Self-Threading 3/16-18
17	872110404	Bolt, Carriage 1/4-20 x 1/2 Gr.5
18	532130745	Support Assembly, Dash
19	532134744	Brace, Cross
20	817060408	Screw, Self-Tapping 1/4-20 x 1/2
21	532134014	Plug Dome Black

HARDWARE SHOWN LARGER FOR EASIER IDENTIFICATION

E

STEERING WHEEL



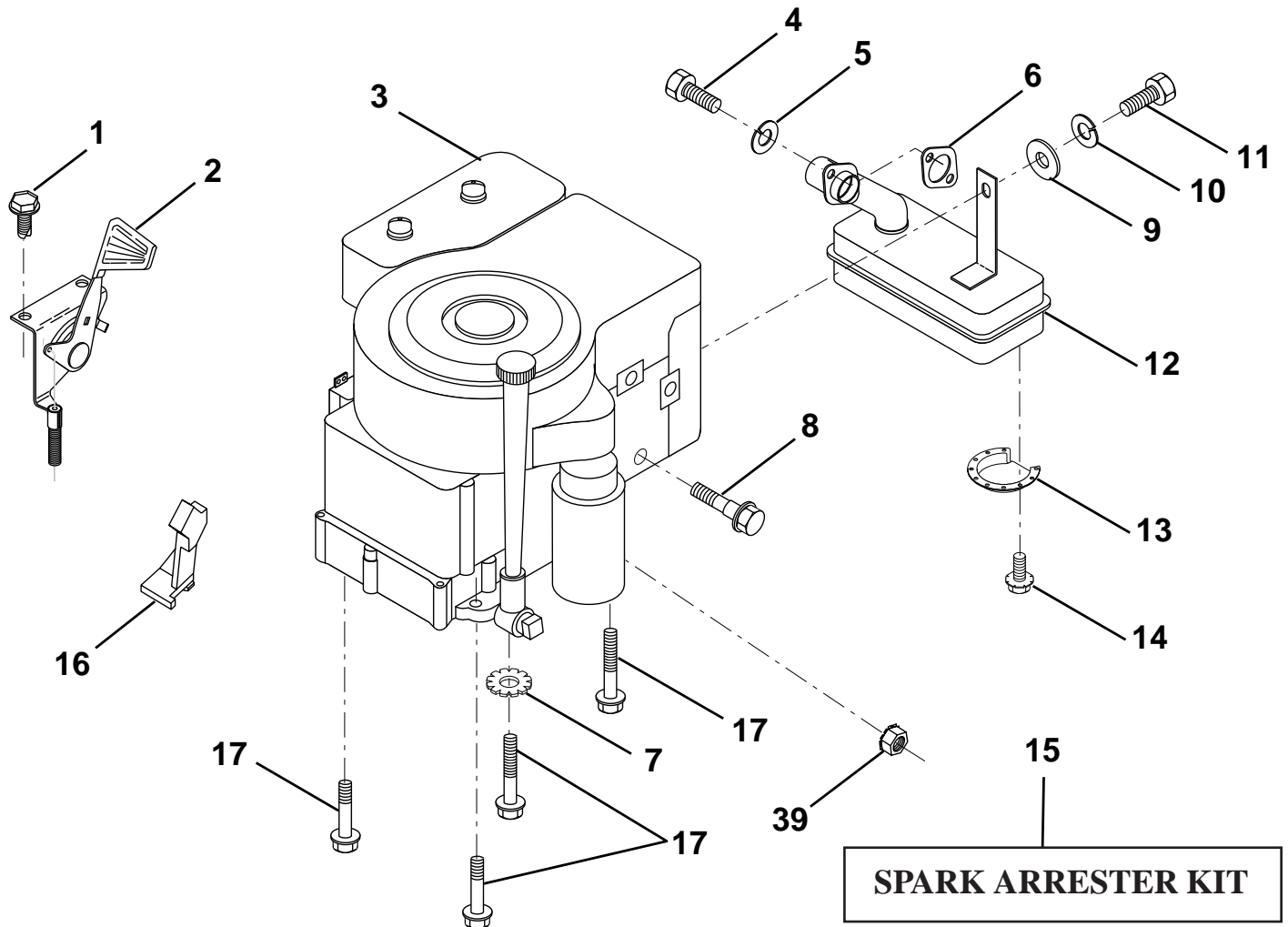
KEY NO.	PART NO.	DESCRIPTION
1	532146150	Insert, Wheel,Steering
2	810040600	Washer, Lock
3	819133808	Washer 12/32 x 2-3/8 x 8 Ga.
4	532146146	Wheel, Steering
5	532127396	Sleevs, Steering
6	532152927	Screw
7	532155104	Bushing, Steering
8	532147391	Shaft, Steering
9	532124210	Clip, Steering

KEY NO.	PART NO.	DESCRIPTION
10	532123438	Bushing, Lower,Steering
11	812000045	Ring, Retaining
12	819211616	Washer 21/32 x 1 x 16 Ga.
13	532100711	Adaptor, Wheel,Steering
14	532153720	Extension Shaft Steering
15	874780520	Bolt Fin Hex 5/16-18 UNC X1-1/4
16	873800500	Nut, Lock Hex W/Ins 5/16 UNC
17	874780616	Bolt Fine Hex 3/8-16UNC x 1

HARDWARE SHOWN LARGER FOR EASIER IDENTIFICATION

F

ENGINE

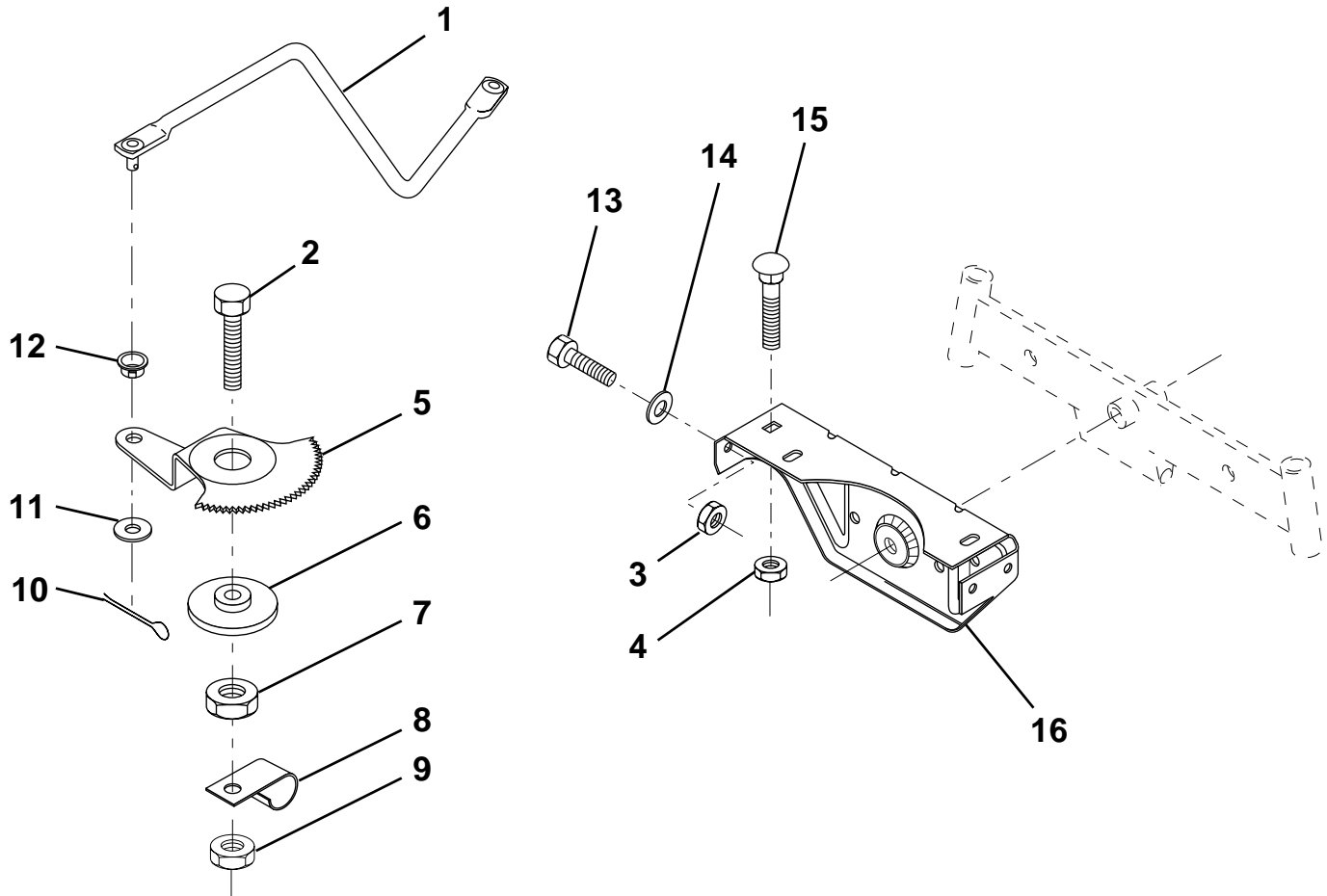


KEY NO.	PART NO.	DESCRIPTION	KEY NO.	PART NO.	DESCRIPTION
1	817060408	Screw, Hex Thd.Cut 1/4-20 x 1/2	11	-----	Bolt(Order From Eng.Mfg.)
2	532133025	Control, Throttle	12	532137437	Muffler
3	-----	Engine	13	532101326	Deflector, Muffler
4	871070512	Screw, Hex,Cap 5/16-18 x 3/4	14	817030808	Screw, Spiderlock
5	810040500	Washer, Lock Hvy Hlcl Spring 5/16	15	532137180	Arrester, Spark(Optinal equipment)
6	532272293	Gasket, Exhaust	16	532127951	Stop, Throttle
7	811050600	Washer Lock Ext.Tooth 3/8	17	817490624	Skrew, Hex Washer Head,Thdrol. 3/8-16 x 1-1/2
8	532121094	Screw 5/16	39	532128861	Nut Flange 1/4-20
9	819101216	Washer 5/16 x 3/4 x 16 Ga.			
10	810040400	Washer, Lock Hvy Hlcl spring 1/4			

HARDWARE SHOWN LARGER FOR EASIER IDENTIFICATION

G

SECTOR GEAR/AXLE SUPPORT



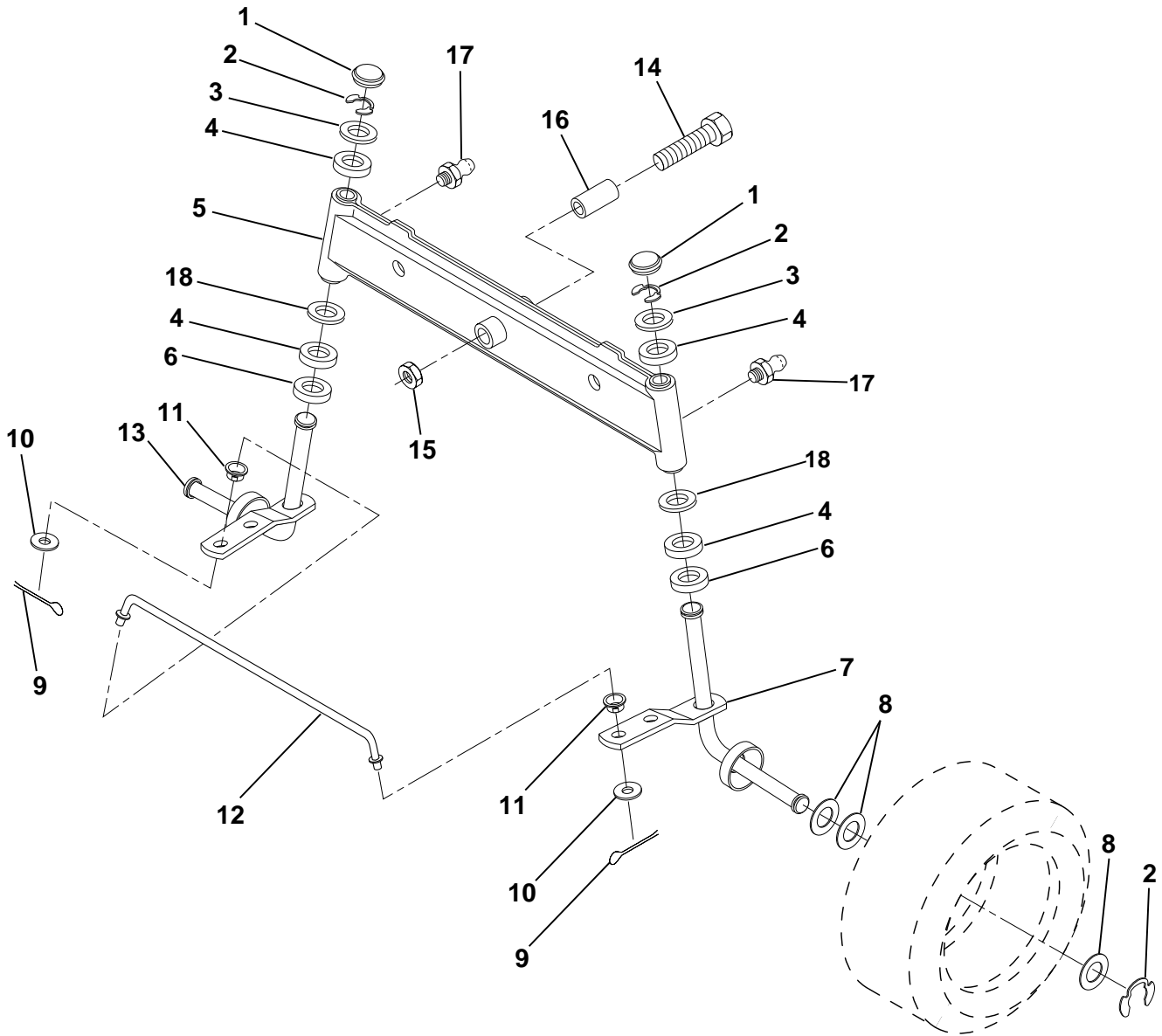
KEY NO.	PART NO.	DESCRIPTION
1	532132566	Link, Drag
2	874780828	Bolt, Fin Hex 1/2-13 x 1-3/4
3	873680500	Nut, Crownlock 5/16-18
4	873680600	Nut, Crownlock 3/8-16
5	532121926	Gear, Sector
6	532121927	Bushing
7	873030800	Nut, 1/2-13 UNC
8	532126472	Clip, Insulated

KEY NO.	PART NO.	DESCRIPTION
9	873680800	Nut, Crownlock 1/2-13
10	876020412	Pin, Cotter 1/8 x 3/4
11	819131316	Washer, 13/32 x 13/16 x 16 Ga.
12	532126847	Bushing
13	874760512	Bolt, Hex Hd. 5/16-18 UNC x 3/4
14	819111416	Washer 11/32 x 7/8 x 16 Ga.
15	872110606	Bolt, Carriage 3/8-16 UNC x 3/4
16	532137096	Support, Front Axle

HARDWARE SHOWN LARGER FOR EASIER IDENTIFICATION

H

FRONT AXLE



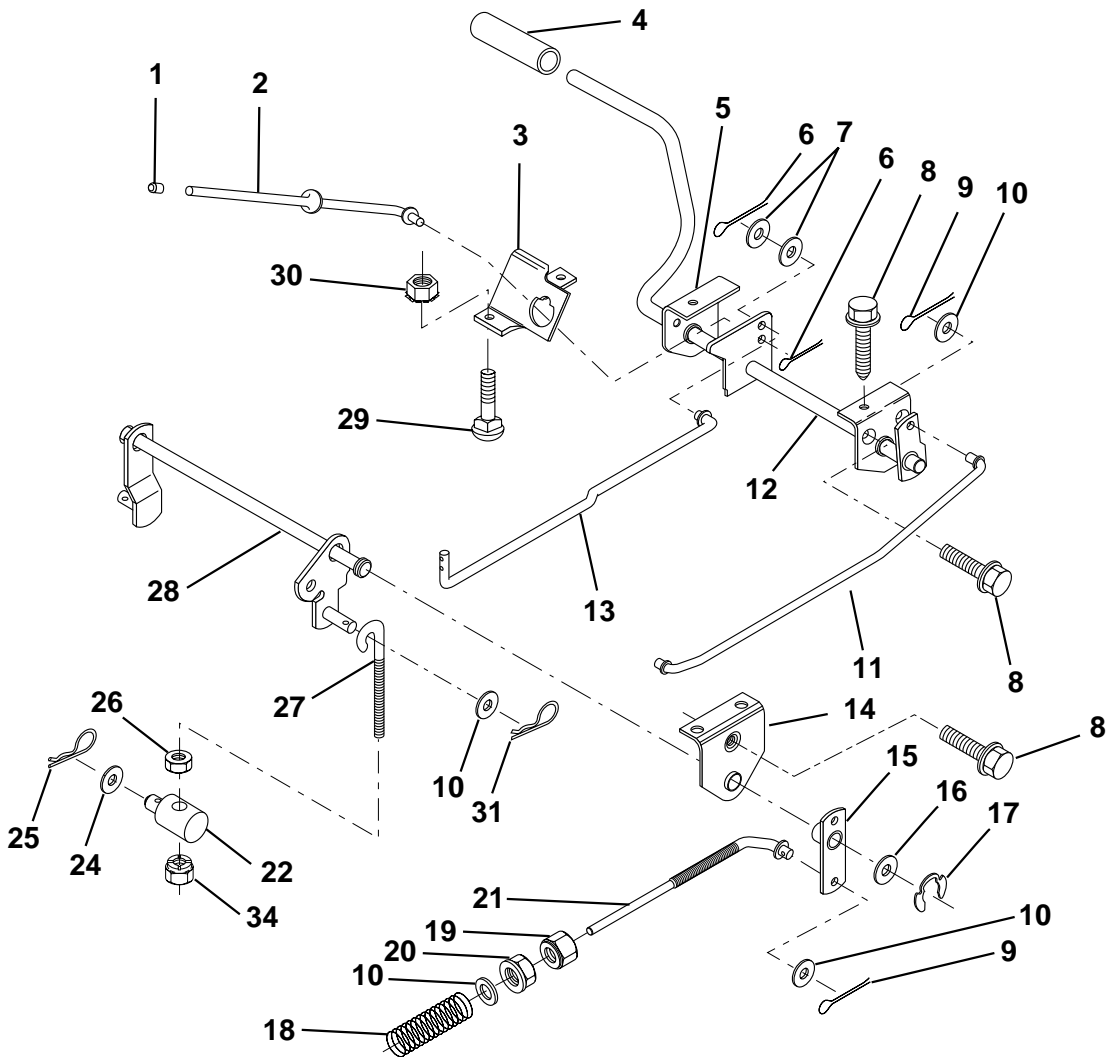
KEY NO.	PART NO.	DESCRIPTION
1	532121232	Cap, Spindle
2	812000029	Ring, clip
3	532121748	Washer 25/32 x 1-5/8 x 16 Ga.
4	532124937	Nyliner
5	532142033	Axle, Front
6	532124931	Bearing, Thrust
7	532137062	Spindle, R.H.Asm.
8	532121749	Washer 25/32 x 1-1/4 x 16 Ga.
9	876020412	Pin, Cotter 1/8 x 3/4

KEY NO.	PART NO.	DESCRIPTION
10	819131316	Washer 13/32 x 13/16 x 16 Ga.
11	532126847	Bushing
12	532130465	Rod, Tie
13	532137061	Spindle, L.H.Asm.
14	874011056	Bolt Hex 5/8 - 11 x 3 - 1/2
15	873901000	Nut, Lock Flange 5/8 - 11
16	532110438	Spacer Bearing Axle
17	532124836	Fityting Grease
18	819272016	Washer 27/32 x 1-1/4 x 16 Ga.

HARDWARE SHOWN LARGER FOR EASIER IDENTIFICATION

J

BRAKE/REAR MOWER LIFT ASSEMBLY

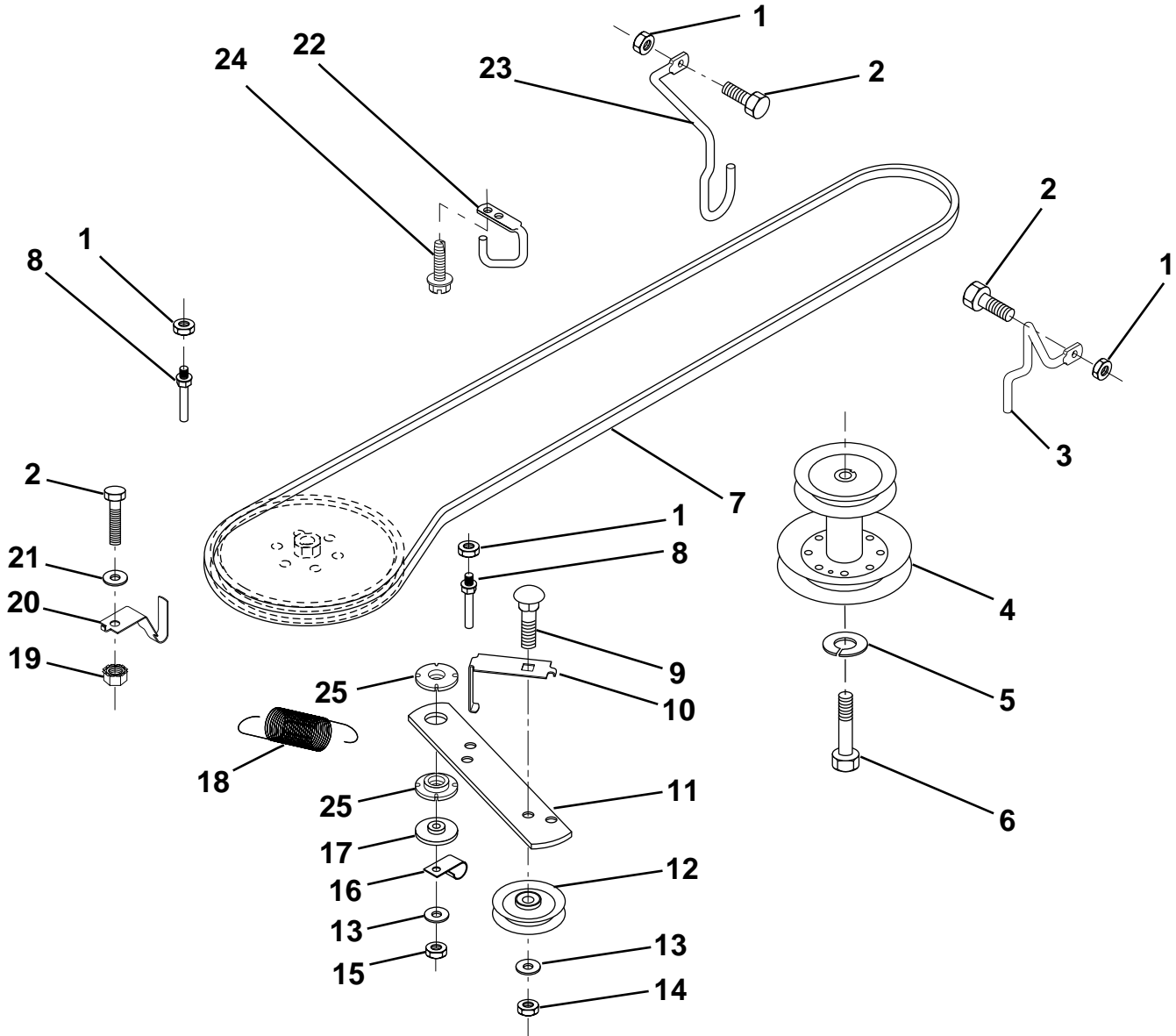


KEY NO.	PART NO.	DESCRIPTION	KEY NO.	PART NO.	DESCRIPTION
1	532071673	Cap, Plunger	17	812000034	Ring, Klip
2	532123436	Rod, Parking Brake	18	532151332	Spring, Brake Rod
3	532123437	Bracket, Parking Brake	19	873350600	Nut, Hex,Jam 3/8-16 UNC
4	532008156	Cover, Pedal	20	873800600	Nut, Crownlock 3/8-16 UNC
5	532122504	Bracket, Clutch/Brake Pedal,L.H.	21	532131460	Rod, RearBrake
6	876020312	Pin, Cotter 3/32 x 3/4	22	532144585	Trunnion, Lift
7	819131016	Washer 13/32 x 5/8 x 16 Ga.	24	819132012	Washer 13/32 x 1-1/4 x 12 Ga.
8	817490508	Screw, Hex,Thd.Roll. 5/16-18 x 1/2	25	532124961	Spring, Retainer
9	876020412	Pin, Cotter 1/8 x 3/4	26	873930600	Nut, Centerlock 3/8-16 UNC
10	819131316	Washer 13/32 x 13/16 x 16 Ga.	27	532127369	Link, Threaded
11	532123543	Rod, Brake Front	28	532140776	Assembly, Rear mower Lift
12	532139933	Assembly, Clutch/Brake Pedal	29	872110506	Bolt, Carriage 5/16-18 UNC x 3/4
13	532123394	Rod, Clutch	30	873510500	Nut, Keps 5/16-18 UNC
14	532121978	Bracket, Lift,Shaft	31	532124660	Spring, Retainer
15	532133332	Assembly, Brake,Pivot,Arm	34	873680600	Nut, Crownlock 3/8-16
16	819251816	Washer 25/32 x 1-1/8 x 16 Ga.			

HARDWARE SHOWN LARGER FOR EASIER IDENTIFICATION

K

GROUND DRIVE



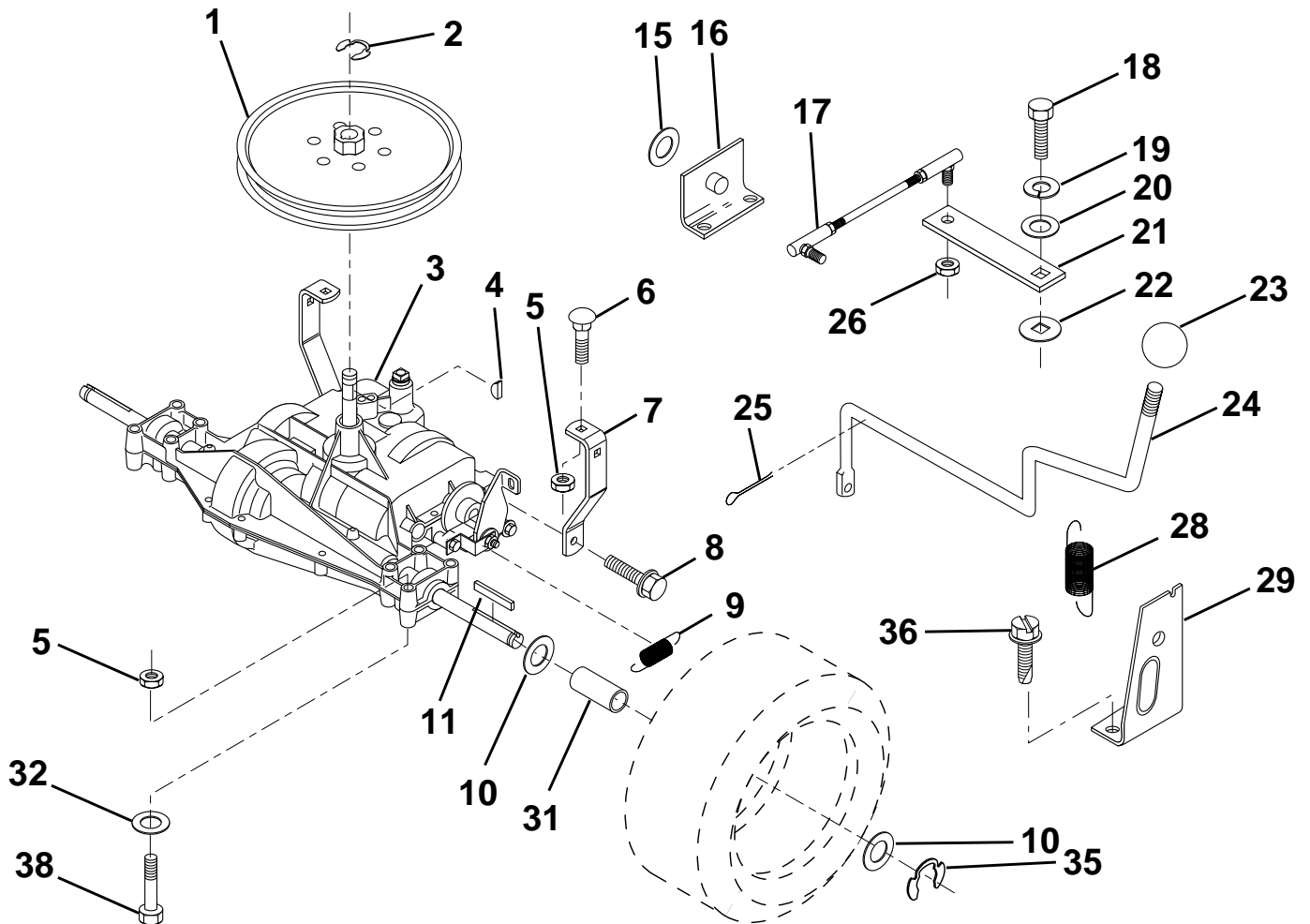
KEY NO.	PART NO.	DESCRIPTION
1	873680500	Nut, Lock Hx w/ins. 5/16-18
2	874760512	Bolt, Hex Head 5/16-18 UNC x 3/4
3	532141342	Keeper, Belt R.H.Front
4	532138029	Pulley, Engine
5	810040700	Washer, Lock7:16
6	871170744	Bolt, Hex 7/16-20 x 2-3/4 Gr. 5
7	531005025	V-Belt
8	532123405	Keeper, T/A Ground Drive Belt
9	872140612	Bolt, Carrage 3/8-16 UNC x 1-1/2
10	532123396	Keeper, Belt,Idler Pulley
11	532150926	Arm, Idler
12	532123674	Idler, Flat
13	819131316	Washer 13/32 x 13/16 x 16 Gauge
14	873930600	Nut , Centerlock 3/8-16 UNC
15	873680600	Nut , Crownlock 3/8-16 UNC

KEY NO.	PART NO.	DESCRIPTION
16	532126471	Clip Insulator
17	532150932	Spacer, Retainer
18	532131459	Spring, Extention
19	873510500	Nut , Keps 5/16-18 UNC
20	532139919	Keeper, T/A Ground Drive Belt
21	819111016	Washer 11/32 x 5/8 x 16 Ga.
22	532123404	Keeper, T/A Ground Drive Belt
23	532140916	Keeper, Belt L.H:Front
24	817720408	Screw, Thd.Cut 1/4-20 x 1/2
25	532150935	Bushing, Nylon

HARDWARE SHOWN LARGER FOR EASIER IDENTIFICATION

L

TRANSAXLE

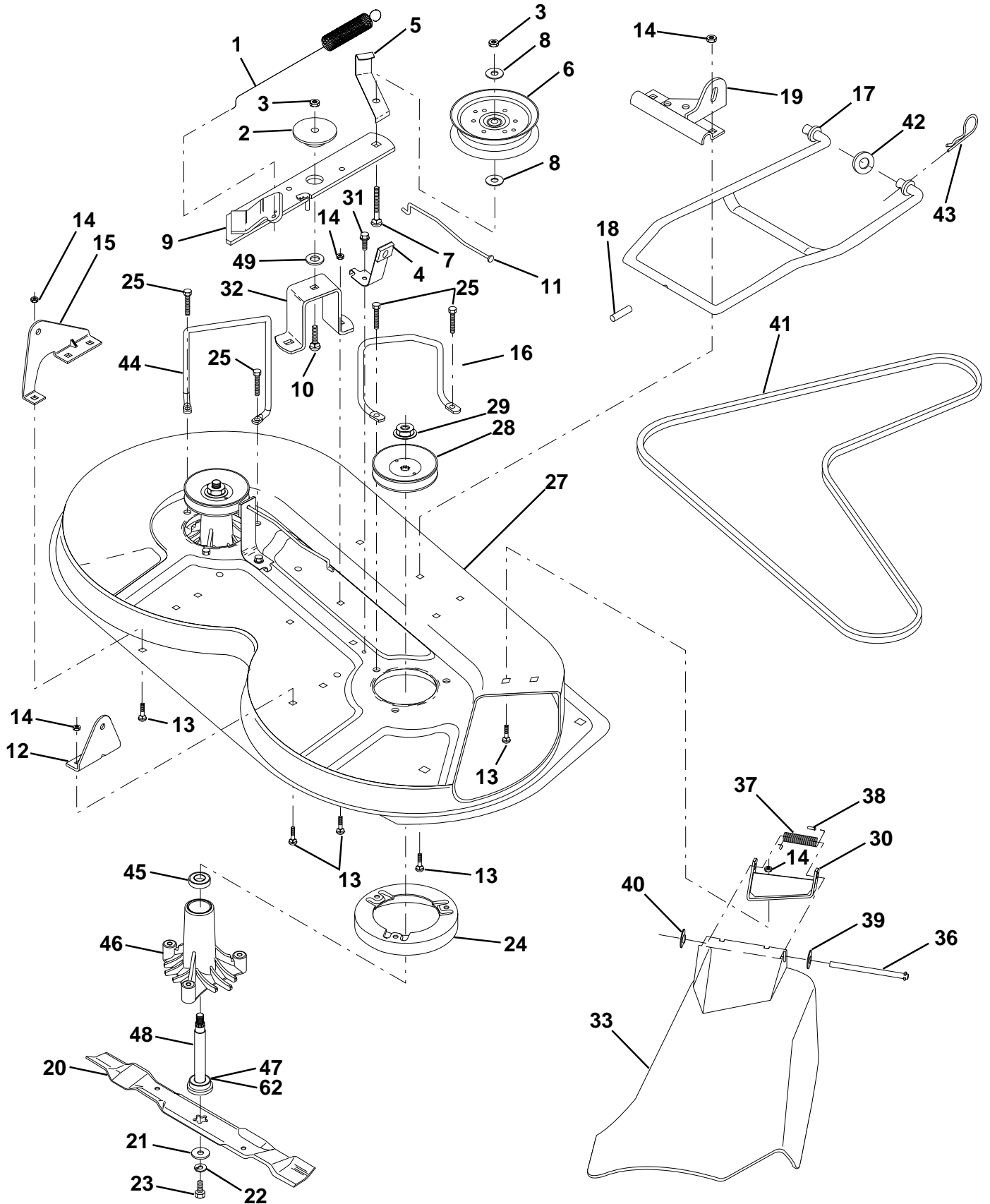


KEY NO.	PART NO.	DESCRIPTION	KEY NO.	PART NO.	DESCRIPTION
1	532123385	Pulley	19	810040400	Washer, Lock 1/4
2	812000028	Ring, Retainer	20	819091210	Washer, 9/32 x 3/4 x 10 Ga.
3	-----	Transaxle	21	532126292	Arm, Shift
4	532125096	Key, Woodruff #9	22	532105701	Washer, Shift Plate
5	873680500	Nut, Crownlock 5/16-18	23	532106933	Knob, Shift Control
6	872140506	Bolt, Carriage 5/16-18 UNC x 3/4	24	532128215	Shift Rod
7	532123378	Strap, Torque	25	876020416	Pin, Cotter 1/8 x 1
8	817490512	Screw, Thdr. 5/16-18 x 3/4	26	873810500	Nut, Hex Nylon
9	532146682	Spring, Brake	28	532128085	Extension, Spring
10	532121749	Washer 25/32 x 1-1/4 x 16 Ga.	29	532128084	Support, Handle Shift R.H.
11	532123583	Key, Square	31	532137057	Spacer
15	819171616	Washer, 17/32 x 16 Ga.	32	819111116	Washer 11/32 x 11/16 x 16 Ga.
16	532124600	Support, Handle Shift L.H.	35	812000001	E-Ring
17	532126293	Link, Shift	36	817720408	Screw, Thd.Cut 1/4-20 x 1/2
18	874550412	Bolt, Fine Hex 1/4-28 UNFx 3/4 Gr.8	38	874490544	Bolt, Hex Head

HARDWARE SHOWN LARGER FOR EASIER IDENTIFICATION

M

MOWERDECK



M

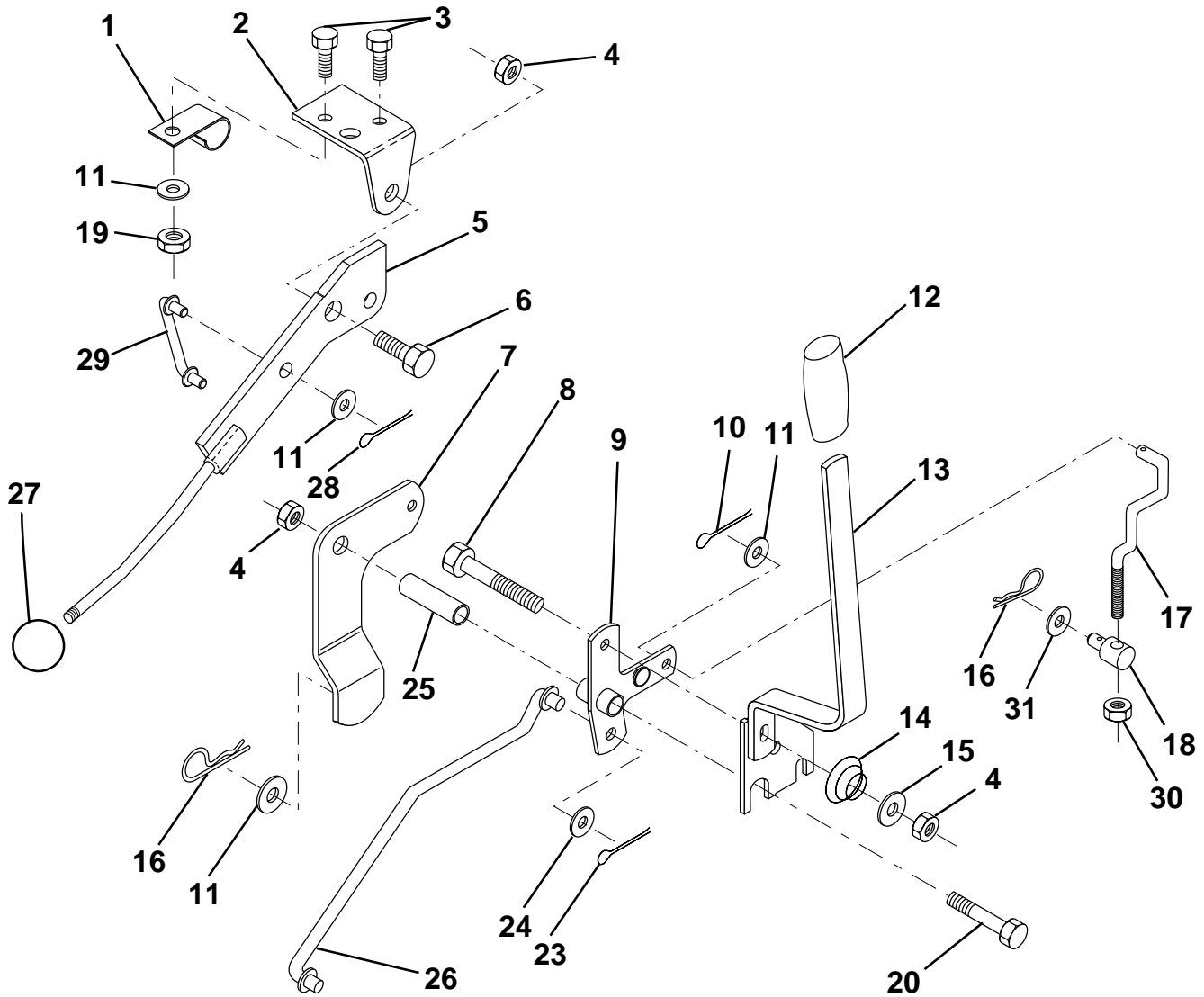
MOWERDECK

KEY NO.	PART NO.	DESCRIPTION
1	532140064	Spring, Mower Clutch
2	532122052	Spacer, Retainer
3	873680600	Nut, Crownlock 3/8-16
4	532130840	Brake Asm.
5	532131251	Guide, Belt Idler
6	532121316	Pulley, Flat Idler
7	872110616	Bolt, Carr. 3/8-16 x 2 Gr. 5
8	819131410	Washer 13/32 x 7/8 x 10 Ga.
9	532127744	Arm Asm., Idler Mower
10	872140610	Bolt, Carriage 3/8-16 x 1-1/4
11	532130841	Rod, Brake
12	532127356	Bracket, Lift L.H. Rear
13	872140506	Bolt, Carriage 5/16-18 UNC x 3/4
14	873680500	Nut, Crownlock 5/16-18
15	532127357	Bracket, Lift L.H. Rear
16	532153298	Keeper, R.H.
17	532128508	Link, Asm. Mower Stabilizer
18	532128511	Pin, Drive
19	532127380	Bracket, Asm. Front
20	531005023	Blade, High Performance
21	532140296	Washer, Hard
22	810030600	Washer, Lock 3/8
23	532850857	Bolt 3/8-24 x 1-1/4 Gr. 8
24	532140329	Stripper
25	532138776	Bolt 5/16-18 x 1-1/4
27	532156600	Deck Assembly
28	532153531	Pulley, Mandrel
29	532137266	Nut, Flangelock 9/16
30	532136631	Bracket, Asm. Deflector
31	817490508	Screw, Hex Wsh.Thdrol 5/16-18 x 1/2
32	532122051	Arm, Support Idler Mower
33	532131560	Deflector
36	532121980	Rod, Hinge
37	532123713	Spring, Torsion Deflector
38	532105304	Cap, Sleeve
39	819111016	Washer 11/32 x 5/8 x 16 Ga.
40	532110452	Pushnut
41	531005026	V-Belt
42	819171616	Washer 11/32 x 5/8 x 16 Ga.
43	532124660	Retainer, Spring
44	532140608	Keeper, L.H.
45	532110485	Bearing
46	532128774	Housing Mandrel Vented
47	532129895	Bearing
48	532137645	Shaft, Mandrel (includes Key # 47)
49	532133943	Washer Hardned
62	532153390	Washer
—	532130794	Mandrel Asm.(Includes Key No.'s 22-23, 26, 29 and 45-48)
—	532156866	Deck, Mower Complete

HARDWARE SHOWN LARGER FOR EASIER IDENTIFICATION

O

MOWERLIFTLEVER



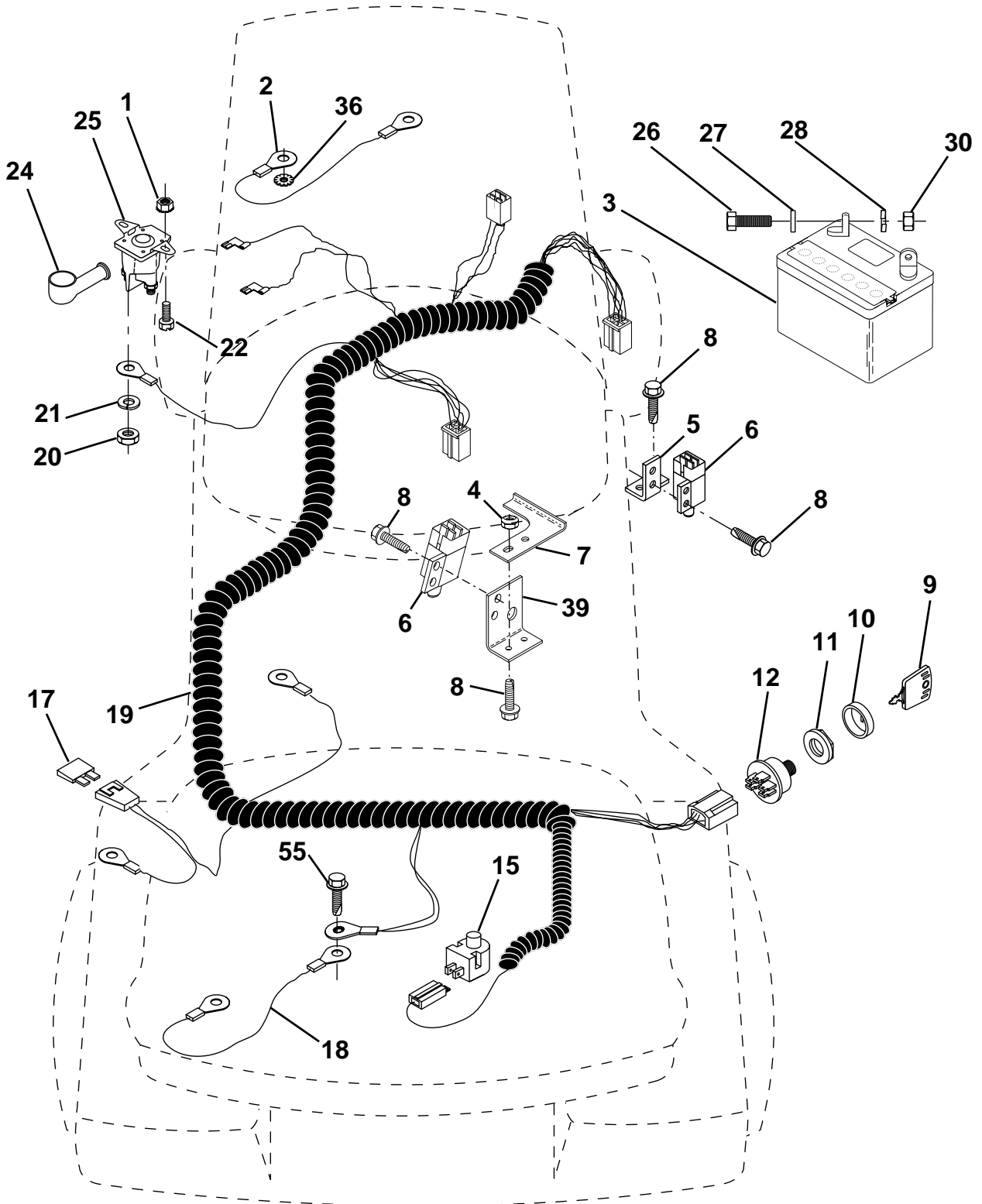
KEY NO.	PART NO.	DESCRIPTION
1	532126470	Clip, Insulated
2	532122018	Bracket, Mower Clutch
3	8711110408	Bolt, Fine Hex 1/4-20 UNC x 1/2 Gr.5
4	873680600	Nut, Crownlock 3/8-16 UNC
5	532145187	Assembly, Clutch Lever
6	532106451	Bolt, Shoulder
7	532135371	Assembly, Mower Clutch Arm
8	874760636	Bolt, Hex 3/8-16 UNC x 2-1/4
9	532121930	Assembly, Bracket Lift
10	876020412	Pin, Cotter 1/8 x 3/4
11	819131316	Washer 13/32 x 13/16 x 16 Ga.
12	532131861	Grip, Handle
13	532139352	Assembly, Grip Handle
14	532123496	Spring, Compression

KEY NO.	PART NO.	DESCRIPTION
15	819131212	Washer 13/32 x 3/4 x 12 Ga.
16	532124961	Retainer, Spring
17	532127359	Link, Front Lift
18	532142028	Trunion, Threaded 3/8-16
19	873680400	Nut, Crownlock 1/4-20
20	874760644	Bolt, Fine Hex 3/8-16 UNC x 2-3/4
23	876020416	Pin, Cotter 1/8 x 1
24	819171612	Washer 17/32 x 1 x 12 Ga.
25	532121933	Tube, Spacer
26	532141470	Rod, Mower Lift
27	532106932	Knob
28	876020312	Pin, Cotter 3/32 x 3/4
29	532131655	Link, Mower Clutch
30	873350600	Nut, Hex 3/8 - 16
31	819132012	Washer 13/32 x 1-1/4 x 12 Ga.

HARDWARE SHOWN LARGER FOR EASIER IDENTIFICATION

P

ELECTRICAL



P

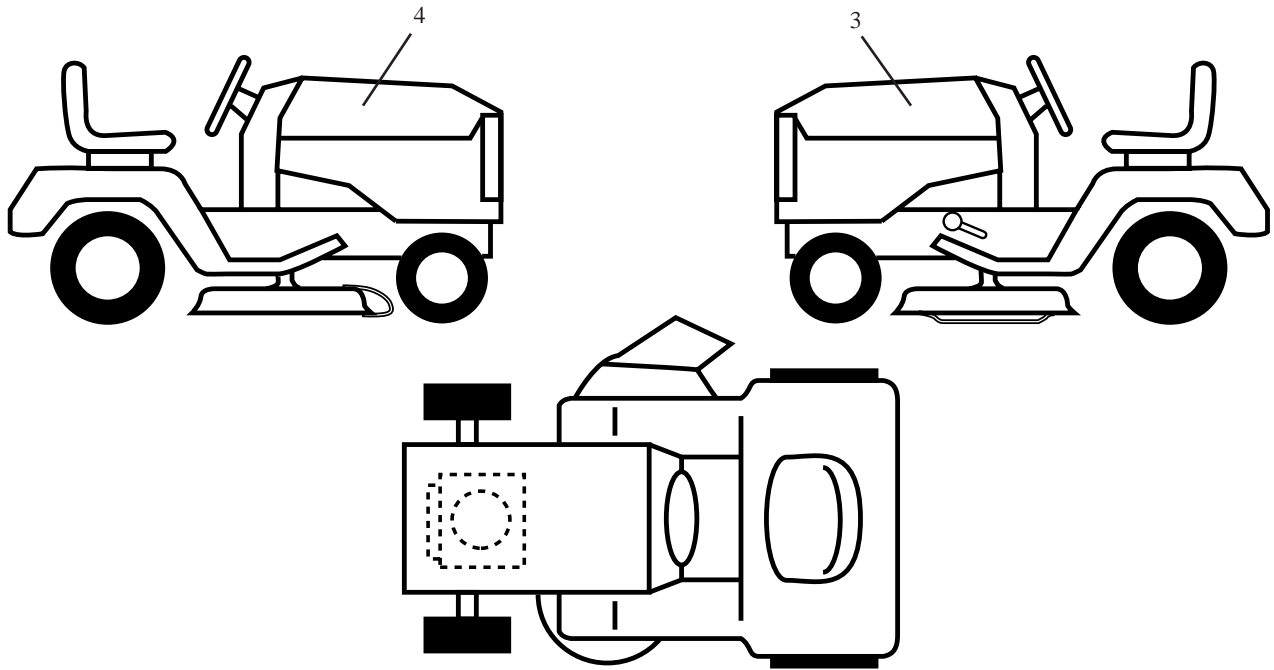
ELECTRICAL

KEY NO.	PART NO.	DESCRIPTION
1	873640400	Nut, Hex Keps 1/4-20
2	532108423	Assembly, Cable
3	532123899	Battery
4	532069180	Nut, Lock#10-24 UNC
5	532108236	Bracket, Switch
6	532109553	Switch, Interlock(4-terminal)
7	532146374	Keeper Actuator
8	817021008	Screw, Hex Hd.Tap#10-24 x 1/2
9	532140401	Key, Molded
10	532141226	Cover, Key Ignition
11	532140400	Nut, Ignition
12	532144921	Switch, Ignition
15	532121305	Switch, Plunger
17	532108824	Fuse
18	532128353	Assambly, Cable
19	532146063	Harness, Ignition
20	873350400	Nut, Hex Jam 1/4-20
21	810090400	Washer, Lock 1/4
22	871110408	Bolt, Fin Hex 1/4-20 UNC x 1/2
24	532131563	Cover, Terminal
25	532145673	Solenoid
26	874760412	Bolt, Hex Hd. 1/4-20 UNC x 3/4
27	819091016	Washer 9/32 x 5/8 x 16
28	810040400	Washer,Lock 1/4
30	873220400	Nut, Fin.Hex H1/4-20 UNC
36	811150400	Washer, Lock 1/4
39	532141735	Bracket Switch Clutch
55	817490508	Screw Thdrol 5/16-18 x 1/2

HARDWARE SHOWN LARGER FOR EASIER IDENTIFICATION

R

DECALS



KEY NO.	PART NO.	DESCRIPTION
3	532150863	Decal, Hood, L. H., Husqv.
4	532150862	Decal, Hood, R. H., Husqv.

R

WHEELS & TIRES

KEY NO.	PART NO.	DESCRIPTION
1	532059192	Cap, Valve
2	532065139	Stem, Valve
3	532124957	Fitting, Grease\ (Front Wheels Only)
4	532137422	Tire, Front
4	532132703	Tire, Rear
5	532059904	Tube, Front (Optional Service Items Only)
5	532008134	Tube, Rear (Optional Service Items Only)
6	532142039	Rim, Front
6	532141652	Rim, Rear
7	532104757	Cap Axle
8	532124959	Bearing Flange
9	532121748	Washer 25/32 x 1-5/8 x 16 Ga.

